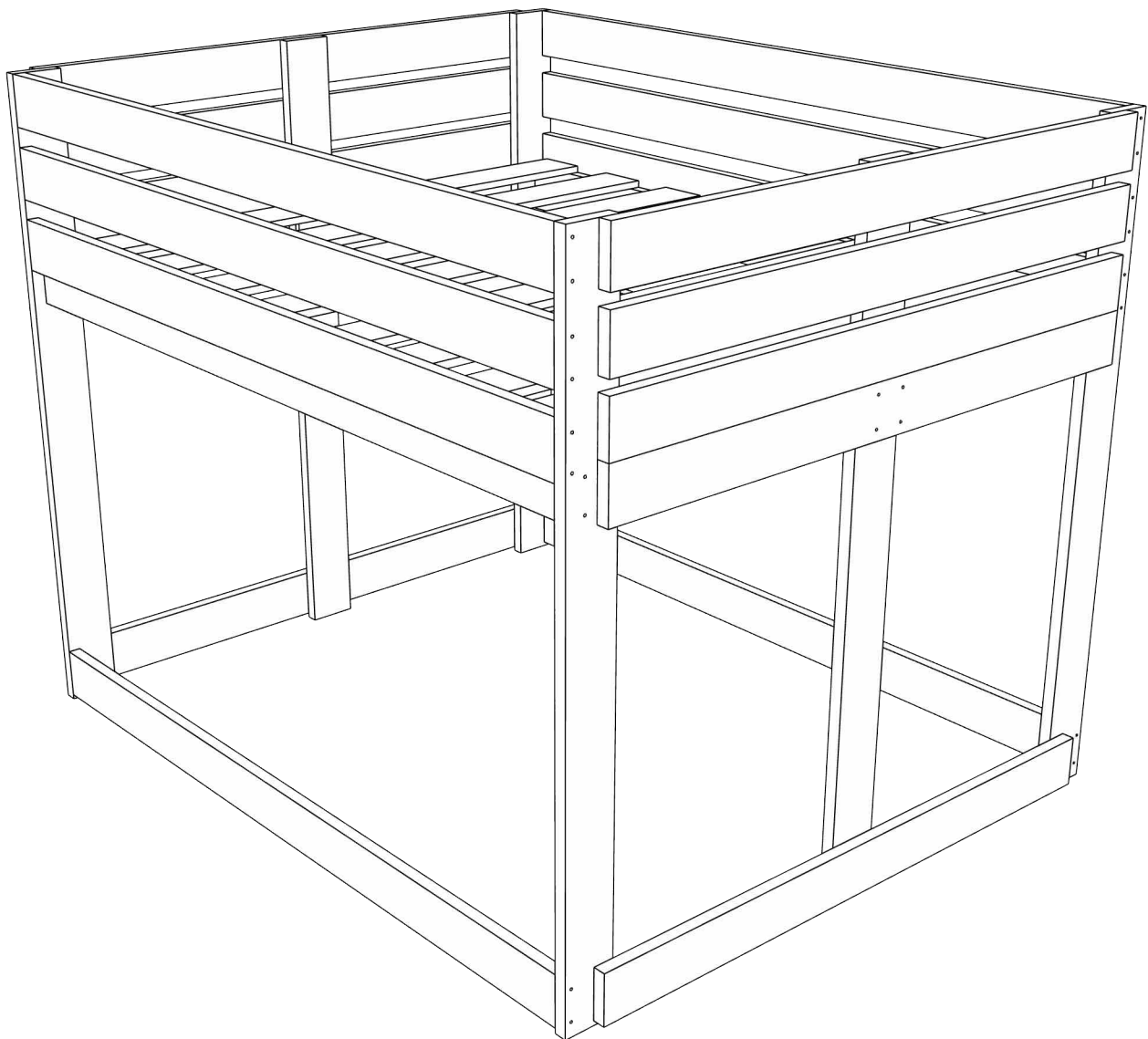


ASSEMBLY INSTRUCTIONS

MODEL: 4006Q



FOR QUESTIONS ABOUT THIS ASSEMBLY PLEASE CONTACT SALES@PINECRAFTER.COM



WARNING

To help prevent serious or fatal injuries from entrapment or falls:

Read & follow the information on the warning shown on the end structure of the upper bunk or on the carton.

DO NOT remove the warning label from the bed.

Keep these instructions for future reference.

Mattress Use

Use only a mattress meeting the following specifications:

Bed Type	Width	Length
Queen Size	59 1/2" - 60 1/2"	79" - 80"

Total thickness of mattress and foundation MUST NOT exceed 11 " (top and bottom bunks).

Mattress surface must be at least 5" (127 mm) below the upper edge of guardrails.

Safety

Maximum weight capacity for upper bunk: 500 lbs.

Not Recommended for children 12 years of age and under

Periodically check rails, ladder, and all components to ensure they remain properly secured.

ASSEMBLY INSTRUCTIONS

MODEL: 4006Q

TOOLS REQUIRED:

- ALLEN WRENCH
- POWER DRILL (RECOMENDED)
- 2 PERSON ASSEMBLY RECOMENDED

HARDWARE INCLUDED:

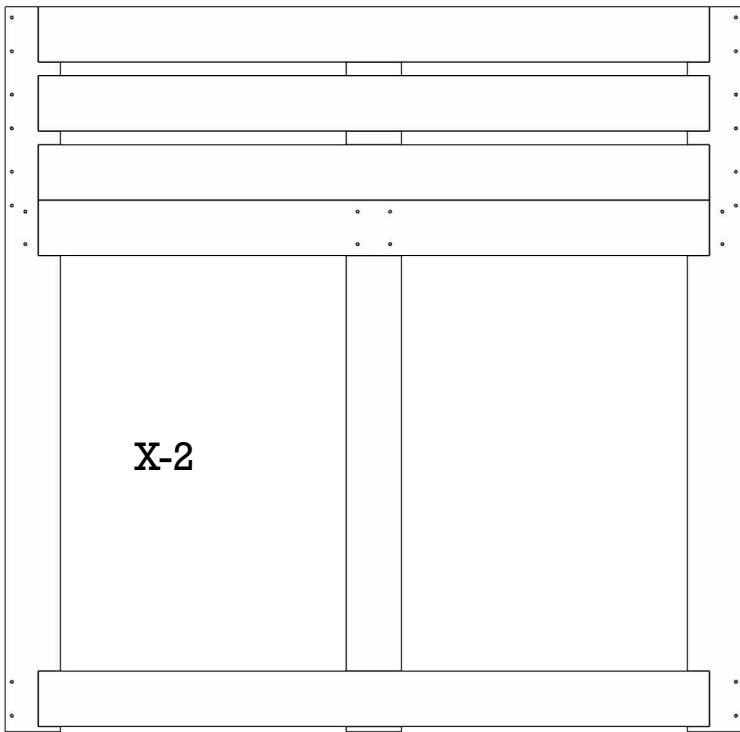
- A. LAG BOLT 70MM X 40
- B. LAG BOLT 100 MM X 8
- C. SCREW 30 MM X 2
- D. ALLEN WRENCH

ASSEMBLY INSTRUCTIONS

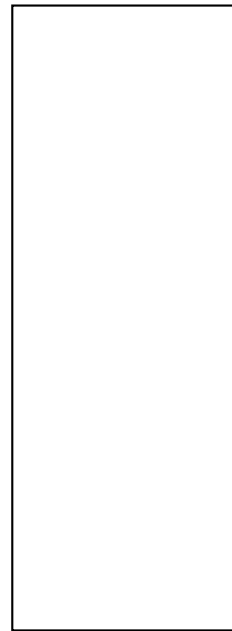
MODEL: 4006Q

PARTS INCLUDED:

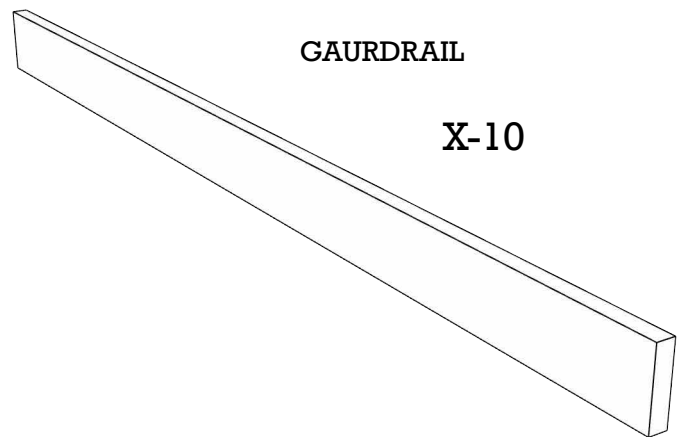
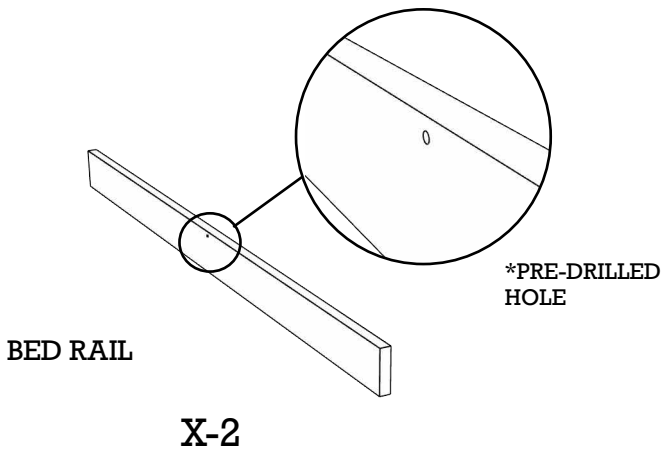
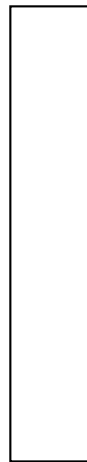
HEADBOARD // FOOTBOARD



LADDER INSIDE BOX

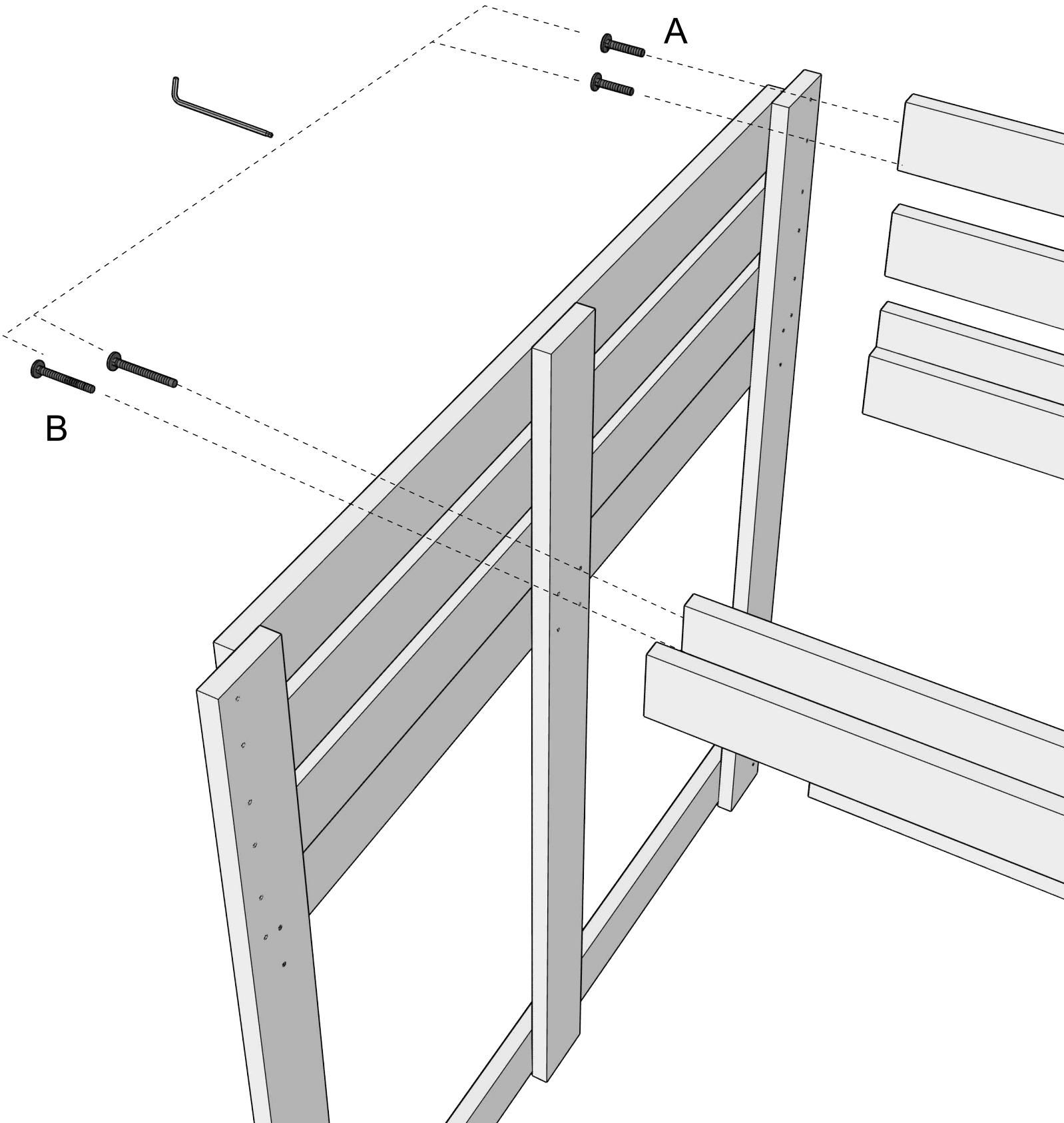


SLATS BOX



ASSEMBLY INSTRUCTIONS

MODEL: 4006Q



ASSEMBLY INSTRUCTIONS

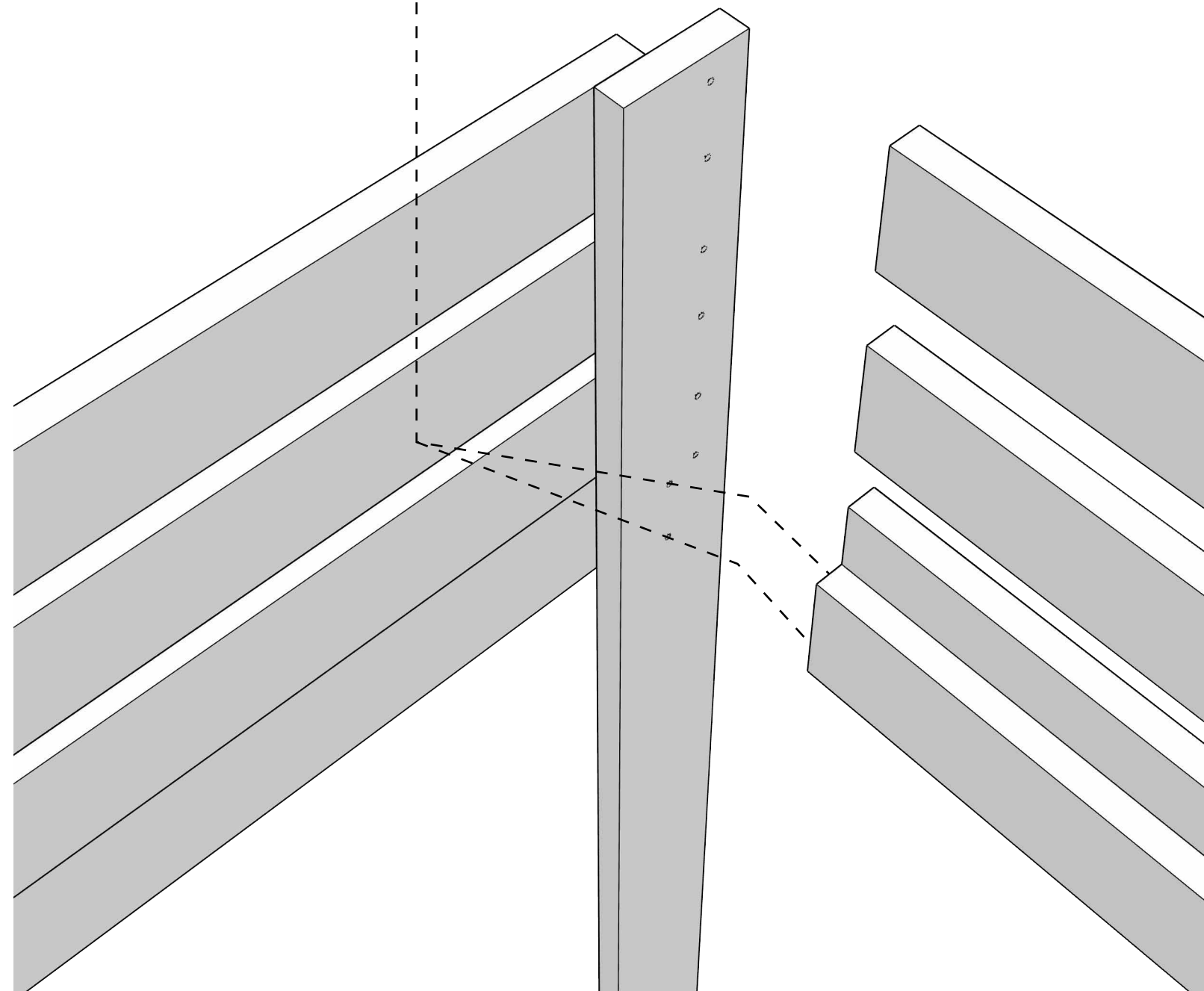
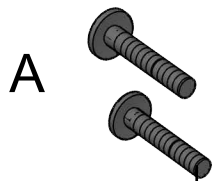
MODEL: 4006Q

STEP 1:

USING BOLT A

ASSEMBLE BOTH BED RAILS TO
THE HEAD AND FOOT BOARD.

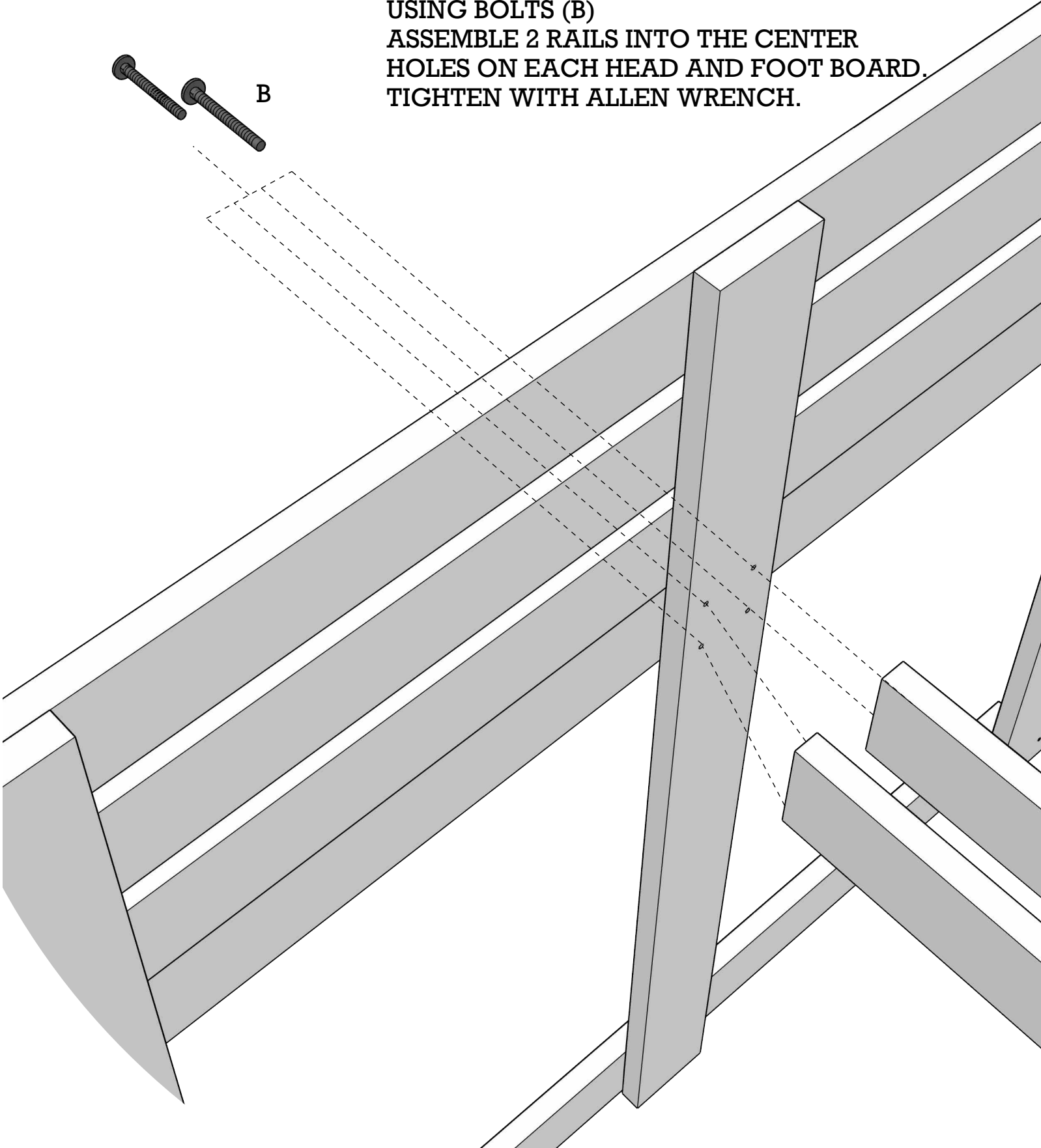
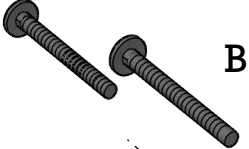
TIGHTEN WITH ALLEN WRENCH.



ASSEMBLY INSTRUCTIONS

MODEL: 4006Q

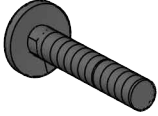
**STEP 2:
USING BOLTS (B)
ASSEMBLE 2 RAILS INTO THE CENTER
HOLES ON EACH HEAD AND FOOT BOARD.
TIGHTEN WITH ALLEN WRENCH.**



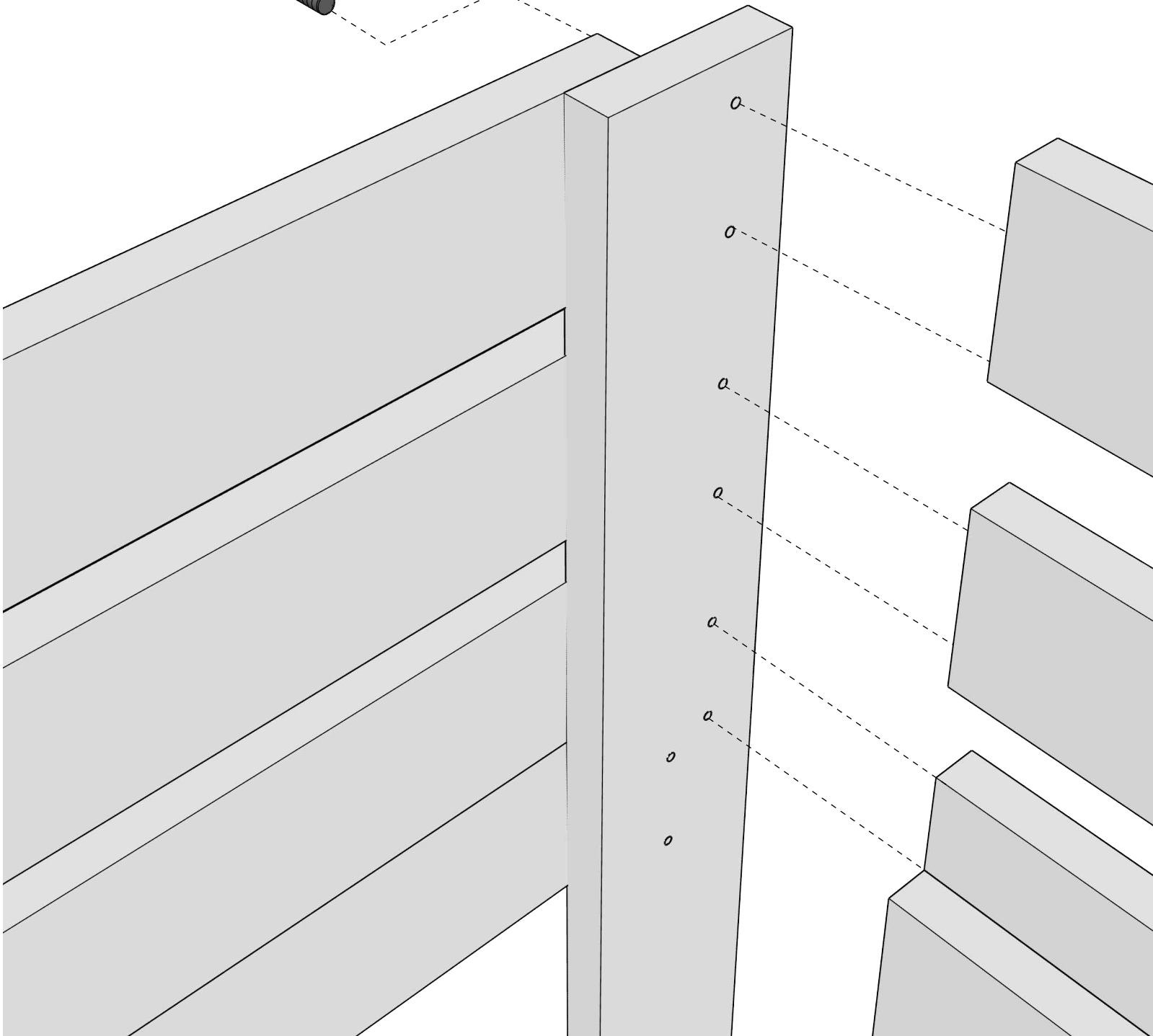
ASSEMBLY INSTRUCTIONS

MODEL: 4006Q

A



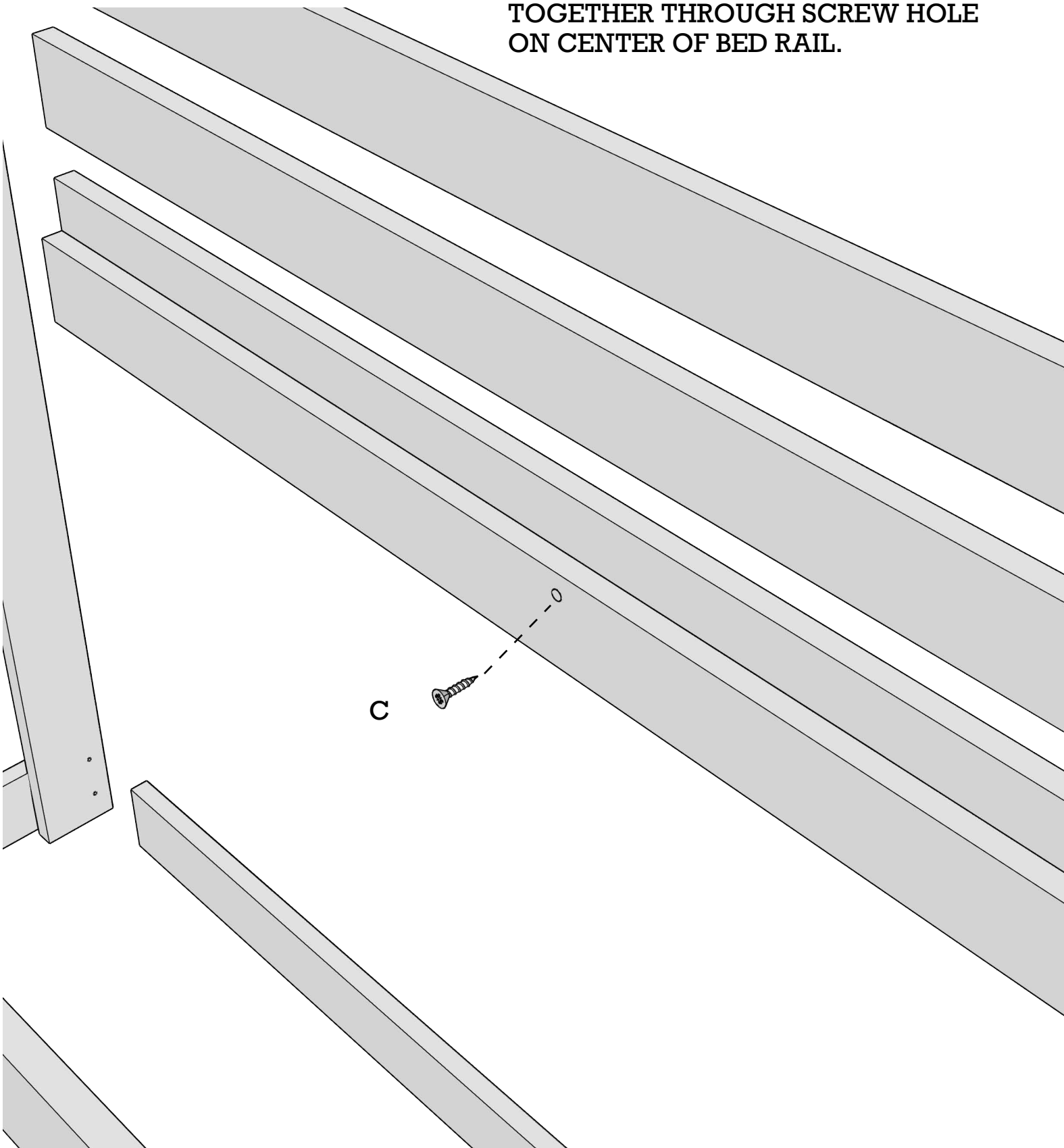
STEP 3:
USING BOLTS (A)
ASSEMBLE ALL REMAINING RAILS INTO
CORRESPONDING HOLES.
TIGHTEN WITH ALLEN WRENCH.



ASSEMBLY INSTRUCTIONS

MODEL: 4006Q

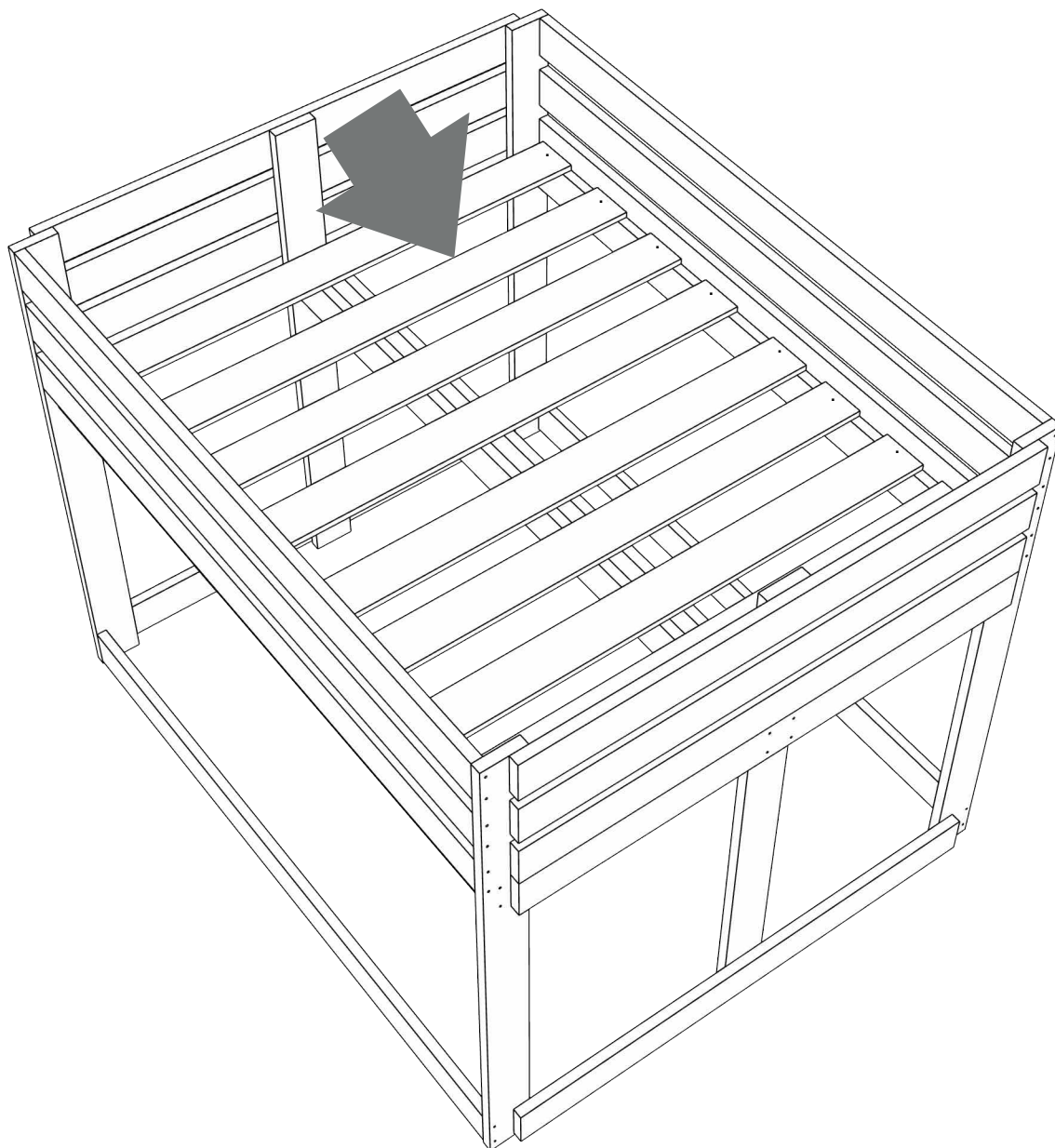
STEP 4:
USING SCREW (C)
ATTACH BED RAIL AND GAURD RAIL
TOGETHER THROUGH SCREW HOLE
ON CENTER OF BED RAIL.



ASSEMBLY INSTRUCTIONS

MODEL: 4006Q

**STEP 5:
PLACE SLATS ACROSS BED RAIL**



**STEP 6:
ATTACH LADDER AS SHOWN ON
INSTRUCTIONS INSIDE LADDER BOX**